

Charging stations «municipal power stations»

The EV charging station with separate energy meter system for the electric power company in Münsingen was custom built in accordance with customer requirements.

Customer/installation engineer:	Infrawerke Münsingen, 3110 Münsingen
Requirement:	Individual supply from the transformer station
Solution:	Separate power station measurement equipment
Item no.:	165560
Quantity:	6
Equipment:	Customer-specific
Areas of application:	Public utility companies (municipality), facilities of power station Münsingen

Starting situation

The municipality of Münsingen wanted to provide a «charging station» for electric vehicles. The distribution and consumption measurement is done via the power station network. The goal was to make it as easy to use as possible for end consumers. The Gifas electric charging station allows two vehicles to be «charged» at the same time.

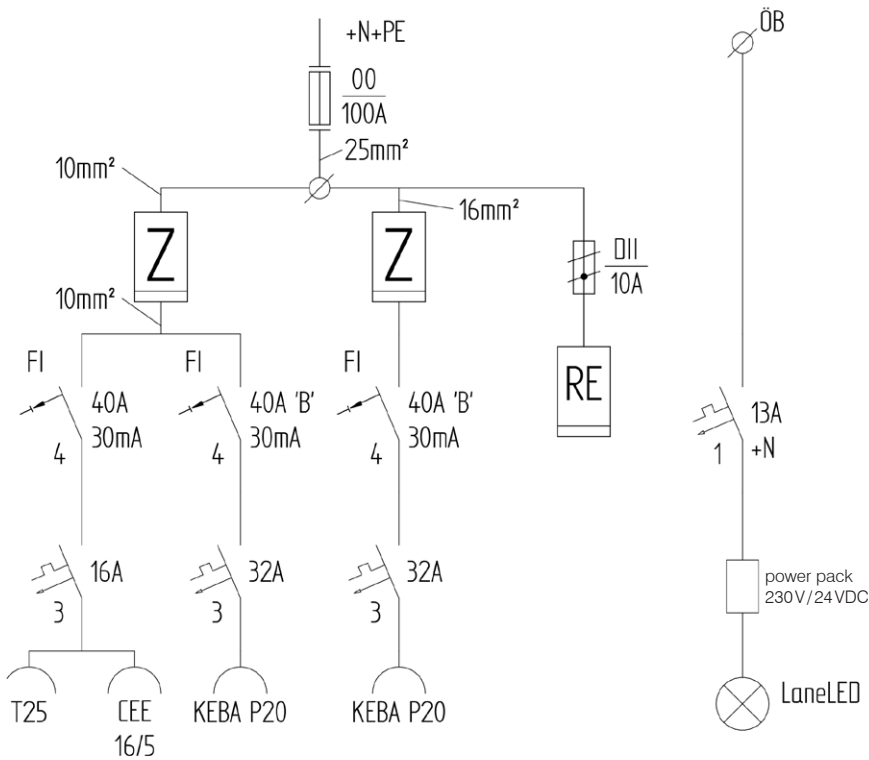
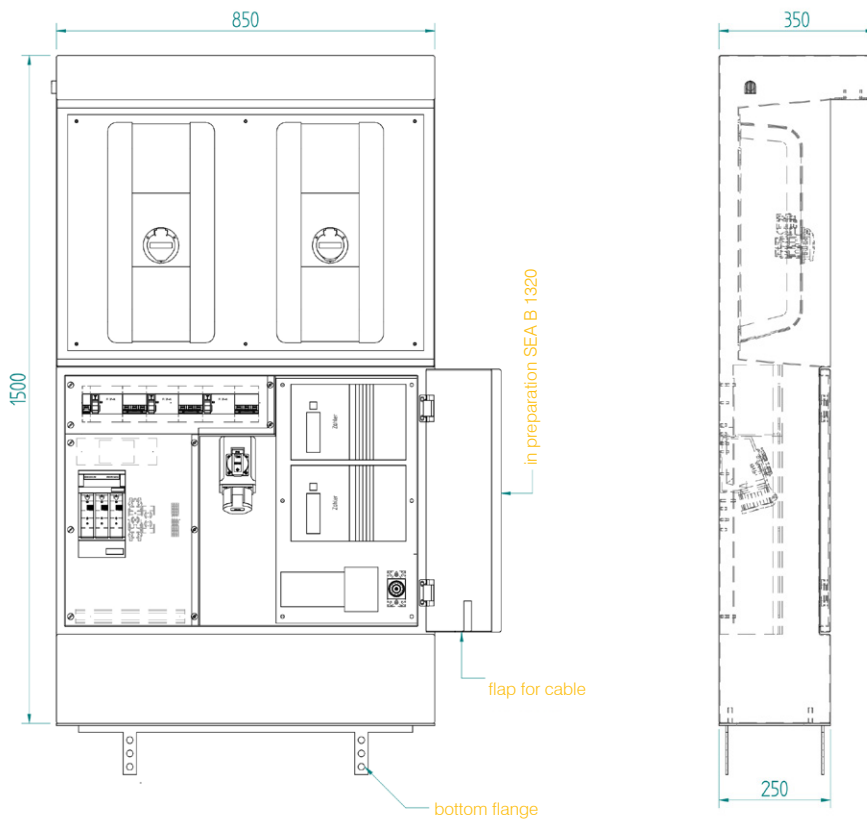
The elegant, compact installation is available in an eye-catching or neutral colour scheme.

Customer benefits

- Individual mains supply
- Power station measurement equipment
- Separate system charging stations
- User-friendly station with integrated LED illumination
- Visually appealing design and colours according to customer requirements



V 0516



V 0516